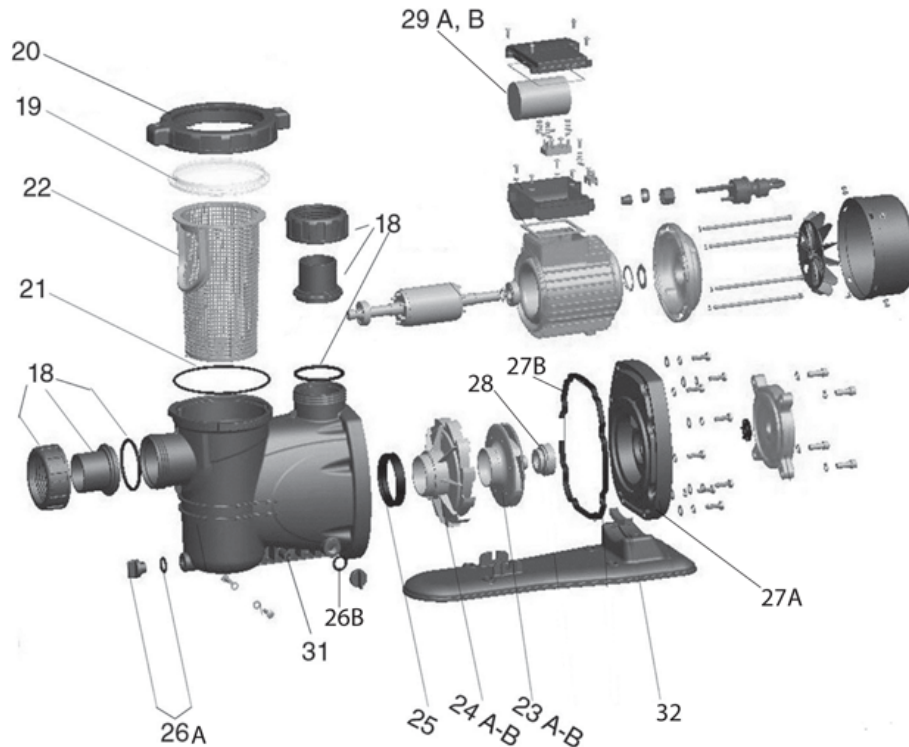


Above Ground Pump Parts Diagram



Key	Vendor Part #	Hachik Item #	Description
18	AGX63061	H4727	Union Adapter Kit 1-1/2" FNPT
19	AGX63057	H4728	Clear Basket Lid Cover
20	AGX63056	H4729	Basket Locking Ring
21	AGX63059	H4730	Filter Basket Lid O-ring
22	AGX63058	H4731	Filter Basket
23A	AGX63008-01	H4732	Impeller - 3/4 HP, 1 HP & 1-1/2 HP
23B	AGX63008-02	H4733	Impeller - 1-1/2 HP & 2 HP
24A	AGX63007-01	H4734	Diffusers - 3/4 HP, 1 HP & 1-1/2 HP
24B	AGX63007-02	H4735	Diffuser - 1-1/2 HP & 2 HP
25	AGX63006	H4736	Diffuser Seal
26A	AGX63001	H4737	Drain Plug with O-ring
26B	AGX63002		Drain Plug O-ring Only
27A	AGX63010-02		Seal Plate
27B	AGX63010-01	H4739	Seal Plate O-ring
28	AGX63009	H4740	Shaft Seal
29A	AGX63040	K5166	Motor Capacitor -1 HP & 1-1/2HP - 30uf
29B	AGX63041	K5168	Motor Capacitor -2 HP - 35uf
30A	AGXGRAPA10M	K4950	1 HP TEFC Replacement Motor Only (no cord)
30B	AGXGRAPA15M	K4951	1-1/2 HP TEFC Replacement Motor (no cord)
30C	AGXGRAPA20M	K4952	2 HP TEFC Replacement Motor (no cord)
31	AGX65034	H4742	Pump Housing - Wet End Only
--	AGX10012-ACC	H4768	Twistlock Plug and Cord